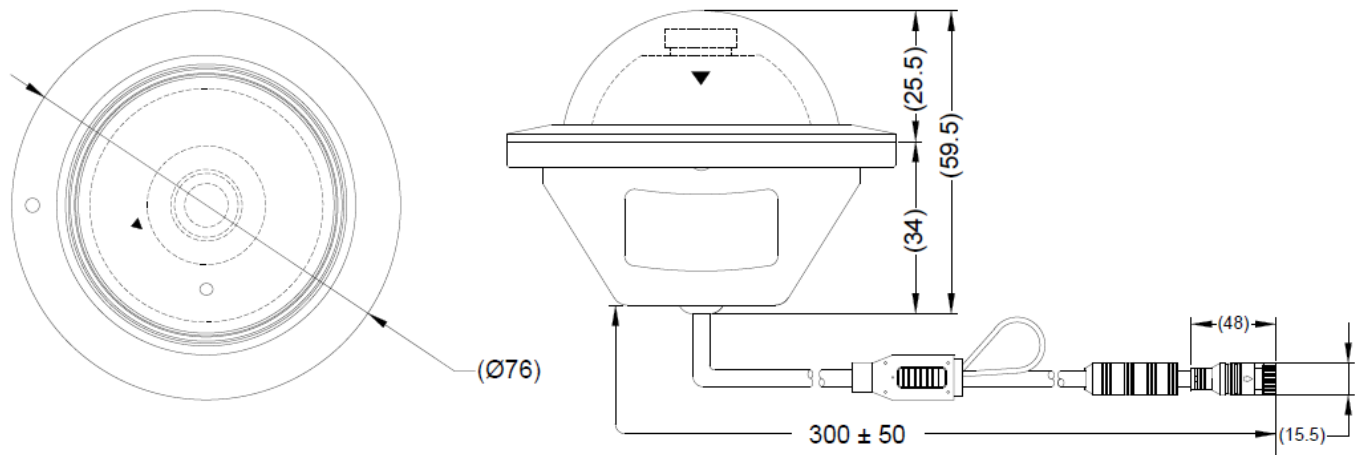


# Product Specification



<b>Brigade Model Number:</b>	<b>MD-50</b>	<b>MD-51</b>	<b>MD-60</b>	<b>MD-61</b>
<b>Brigade Part Number:</b>	<b>5735</b>	<b>5736</b>	<b>5737</b>	<b>5738</b>



Dimensions: mm

## Environmental Specifications:

- Shock Rating: 51 G
- Vibration Rating: 10 G
- Camera IP Rating: IP68
- Connector IP Rating: IP67
- Operating Temperature: -30° to +85°C
- Storage Temperature: -40° to +85°C

## Approved Standards:

- CE - (EN 55032:2015  
EN 55024:2010 + A1:2015 )
- FCC - (47 CFR Part 15 Subpart B)
- IC - (ICES -003 Issue 6)
- 'E' Mark - (ECE Regulation 10 Rev 05)
- RoHS
- WEEE

## Technical Specifications:

- Operating Voltage: 12 Vdc ± 2 Vdc
- Current Consumption: ≤ 55mA @ 12 Vdc
- Power Consumption: ≤ 1 Watts @ 12 Vdc
- Imaging Devices: CMOS - 1/3" ON-Semi  
ISP - Nextchip
- TV System:
  - MD-50 CVBS (PAL)
  - MD-51 CVBS (NTSC)
  - MD-60 AHD 1.0 (720p-25fps)
  - MD-61 AHD 1.0 (720p-30fps)
- Picture Elements: 1280(H) x 960(V)
- Horizontal Visual Resolution:
  - MD-50 / MD-51 600 TV Lines
  - MD-60 / MD-61 900 TV Lines
- Lens Focal Length: 4.04mm
- Signal to Noise Ratio: Max. 44dB

## Technical Specifications Continued...

- Required Illumination: 0.5 Lux
- Viewing Angle: 68°(H), 38°(V), 80°(D)
- Installed Weight: Approx. 200 Grams
- Video Output: 1 Vp-p / 75Ω
- Length of Cable: 300 ± 50mm
- Overall Dimensions: 59.5mm (H) x Ø 76mm (D)
- Housing Material: Aluminium Alloy
- Camera View: Configurable - Mirror/Normal
- Finish: Black Anodized

## Features:

- Dome Camera with 150° adjustment range in all directions
- Available in CVBS or AHD 1.0 (720p) signal format
- High quality ON-Semiconductor image sensor
- High quality Nextchip image signal processor
- Suitable for inside and outside applications
- Automatic White Balance
- Back Light Compensation
- Fixed IRIS
- VBV Type Female Connector

## Package Contents:

- 1 x MD-XX-C - Camera only
  - 1 x MD-50-C for CVBS (PAL)
  - 1 x MD-51-C for CVBS (NTSC)
  - 1 x MD-60-C for AHD 1.0 (720p-25fps)
  - 1 x MD-61-C for AHD 1.0 (720p-30fps)
- 1 x MD-XX-SR - Securing Ring
- 1 x MD-XX-RR - Retaining Ring
- 1 x MD-XX-DOME - Plastic Dome
- 1 x MD-XX-FIX - Fixing Kit
- 1 x MD-XX(XX)-IG - Installation Guide